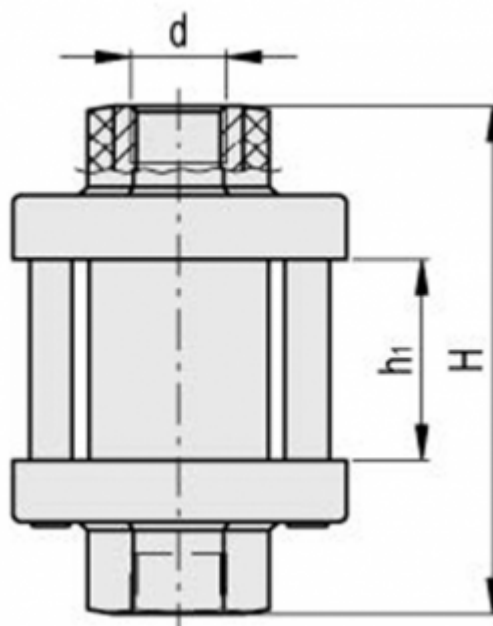
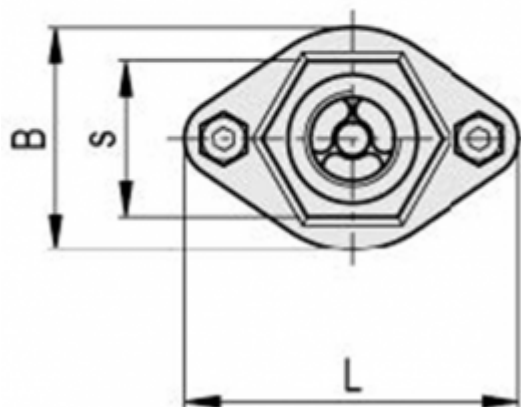


Article number: 2311111317

Description: E+G Visual flow indicators HVF.92-3/8 NPT

Measures

HVF. (66 - 92)
HVF-SST (66 - 92)



B	= 40
d	= 3/8
H	= 92
h1	= 36
L	= 60
s	= 28
Weight in (g)	= 176